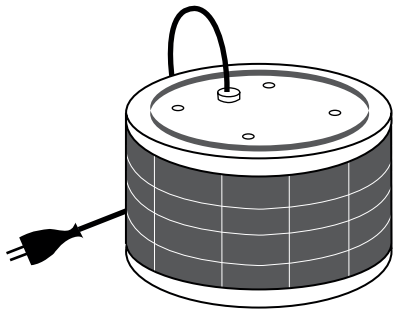




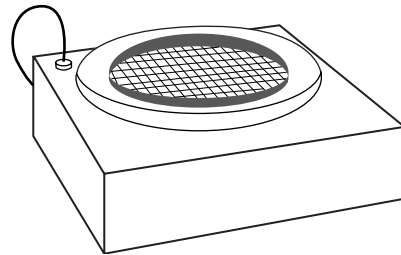
AVITANA®

PLASMA-TECNOLOGIE

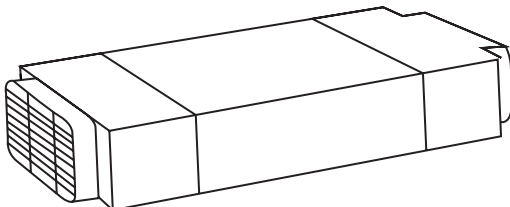
Mounting Instructions



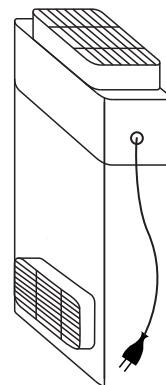
aira® RONDO



aira® PLANO



aira® QUADRO



aira® QUADRO L

Table of Contents

OPERATING INSTRUCTIONS

Greetings	3
Properties	4
Important warnings	5
Warnings and instructions for installation	6
Mounting instructions RONDO	7
Mounting instructions PLANO	10
Mounting instructions QUADRO	11
Mounting instructions QUADRO L	12
Warnings for operation	13
Warranty and conditions	14
Final remarks	15





Dear customer,

We, the AVITANA® team , say: Thank you very much!

Thank you for following our ideology for more sustainability. Thank you for choosing to be more environmentally aware. Thank you for choosing the AVITANA® brand product.

AVITANA® **aira** filters will free your indoor air from cooking odours through a physico-chemical process. Dust particles, microorganisms (mould spores, dust mites, bacteria and viruses), cigarette smoke and annoying odours are destroyed by an ionization process in their molecular structure and decomposed into the basic elements CO₂ (carbon dioxide), O (oxygen) and a low level of residual moisture. This happens without the use of chemical additives. Our process does not release any ozone to the outside and you will already feel during commissioning that the air quality is improving. AVITANA® **aira** filters are certified and offer you a future-oriented and pioneering technology of air purification.

That's what your AVITANA® stands for

Three product groups: **aira RONDO, **aira** PLANO and **aira** QUADRO**

- The right plasma filter for every cooker hood
- Capacity levels from 350 to 1,200 cbm/h
- Customer-specific developments and special requests possible

User-friendly

- Easy and quick to install (plug and play)
- Can be retrofitted to existing cooker hoods
- Low weight and dimensions
- Works horizontally and vertically
- Extensive accessories for all RONDO and PLANO models

Improving the quality of housing and life

- Eliminates up to 99% of all odours
- Removal of viruses, pollen, bacteria and other allergenic substances, including tobacco smoke
- No ozone release (confirmed by VDE and IUTA)

Energy efficiency

- No maintenance necessary
- Low energy consumption
- Automatic switch on and off by extractor hood
- Self-cleaning system of the filter

Cost saving

- No change of filters necessary
- No exhaust air system to the outside necessary (exhaust air becomes recirculated air)
- The filter will last the lifetime of the cooker hood

Tested safety

- VDE certificate for RONDO and QUADRO models (including ozone test)
- IUTA-certificate (Ozone Test Energy and Environmental Institute, Duisburg)

Quality

- Made in Germany
- 5 years warranty
- Highest quality filter material (the carbon particles of a filter would be rolled out the surface of a soccer field)

Important Warnings

- Only use AVITANA® **aira** filters with a commercially available extraction unit with grease filters in combination with fire-retardant properties.
- There should always be good ventilation to ensure that there is sufficient oxygen in the room air. Commercial branded hoods also point this out!
- Please do not put any objects into the **aira** module! There is a risk of electric shock! ALWAYS work on the module with the mains plug unplugged!
- Touching with wet hands or objects also implies a risk of electric shock. Always work on the module with the mains plug unplugged!
- The blocking of the air inlet or outlet is to be avoided in any case. If necessary unplug the mains plug!
- If the module shows damage, it must not be used!
- Persons with reduced physical, sensory or mental abilities or the lack of experience, such as children from the age of 8 may use this module only under the supervision of a competent person. Further warnings can be found in the following chapters.
- The module is not to be used as a toy for children!
- Cleaning or maintenance work must not be carried out by children without a competent person!
- Please follow the installation instructions and warnings of your extractor hood.
- AVITANA® **aira** was designed exclusively for use in private households!
- As in the manual of your extractor hood, we would also like to point out that you should never allow high flames to develop under the hood! Also do not flambé under fume hoods, as both can lead to a fire hazard and cause considerable consequential damage!
- Likewise, overheated oil poses a potential fire hazard. Never extinguish with water!
- Carbon monoxide or other chemical gases can not be removed with the AVITANA® **aira**!

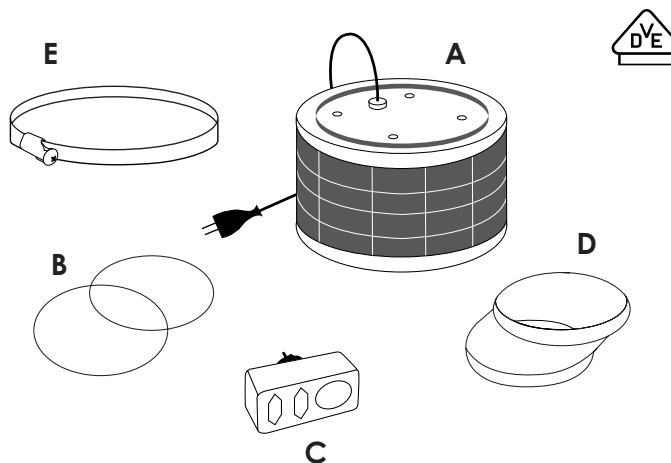
Warnings and Instructions for Installation

- The AVITANA® **aira** filter module should only be connected with the cable connector belonging to the unit! (Warranty)
- If the cable is damaged, the device must be returned to the dealer/manufacturer for scrapping.
- Carefully open the packaging, remove the AVITANA® **aira** filter module and check the packing unit for completeness!
Keep the packaging in a safe place until the functional test has been carried out to ensure correct operation and, if necessary, use it for return shipments. Otherwise, please dispose of in an environmentally friendly manner. Thank you!
- Please refer to the illustrated installation instructions below and follow them step-by-step. Check the connection between the AVITANA® **aira** filter module and the motor outlet for strength to prevent air leakage for the system to operate properly.
- Check whether the mains plug is freely accessible after installation of the module! The integrated mains connection cable can not and must not be replaced.
- NOTE: Failure to install the AVITANA® **aira** filter in accordance with these instructions will void the warranty on the AVITANA® filter with immediate effect!
- All AVITANA® **aira** filter modules listed in this manual are plug-in products. For details, please refer to the installation instructions and the following pages.
- The mains supply should be provided by a nearby socket (210-250 V / 50 Hz).
- Potential small black spherical particles in the packaging may have originated from the high-performance carbon filter and released during transport. These particles are harmless and can be disposed of with household waste. Please do not use them for consumption! The functionality of the AVITANA® **aira** filter will not be affected!
- The device may only be operated with the supplied supply cable.



BOX CONTENT

- A** AVITANA® **aira** filter module
- B** 2 O-rings
- C** triple plug adapter
- D** eccentric adapter
- E** hose clamp



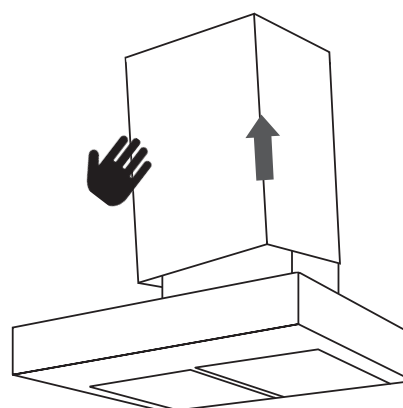
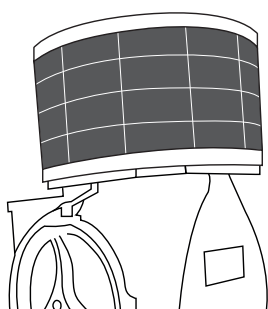
	Dimensions	Air output	Connection voltage	Connec-ting dimen-sion	Article No.	Weight	Packing unit
RONDO 350/150	Ø 150x120mm	350m ³ /h	210 - 250 V	ø 120mm	8113	0,6kg	1 piece
RONDO 550/150	Ø 150x180mm	550m ³ /h	210 - 250 V	ø 120mm	8115	0,8kg	1 piece
RONDO 650/150	Ø 150x240mm	650m ³ /h	210 - 250 V	ø 120mm	8116	1,0kg	1 piece
RONDO 400/180	Ø 180x150mm	400m ³ /h	210 - 250 V	ø 120mm	8418	1,12kg	1 piece
RONDO 600/180	Ø 180x210mm	600m ³ /h	210 - 250 V	ø 120mm	8618	1,56kg	1 piece
RONDO 800/180	Ø 180x270mm	800m ³ /h	210 - 250 V	ø 120mm	8818	1,76kg	1 piece
RONDO 500/210	Ø 210x120mm	500m ³ /h	210 - 250 V	ø 150mm	8521	1,22kg	1 piece
RONDO 800/210	Ø 210x210mm	800m ³ /h	210 - 250 V	ø 150mm	8821	1,66kg	1 piece
RONDO 1000/210	Ø 210x270mm	1000m ³ /h	210 - 250 V	ø 150mm	8121	2,0kg	1 piece

The AVITANA® **aira** RONDO - filter is placed on the cooker hood motor (Fig. E). With this AVITANA® filter system you transform your cooker hood into an air purification unit with an absorption of all odours, viruses and bacteria up to 98%.

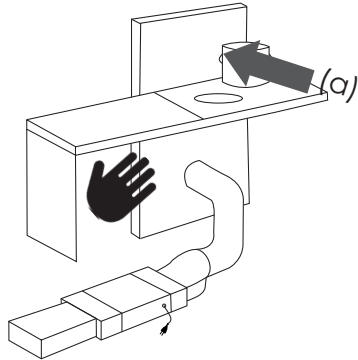
To install the filter, proceed as follows:

1. Remove the chimney shaft and disconnect the hood from the mains.

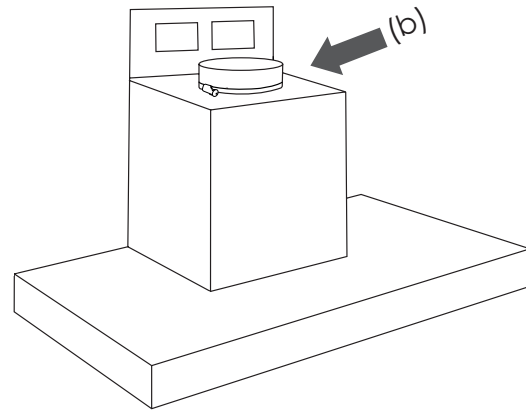
Fig. E



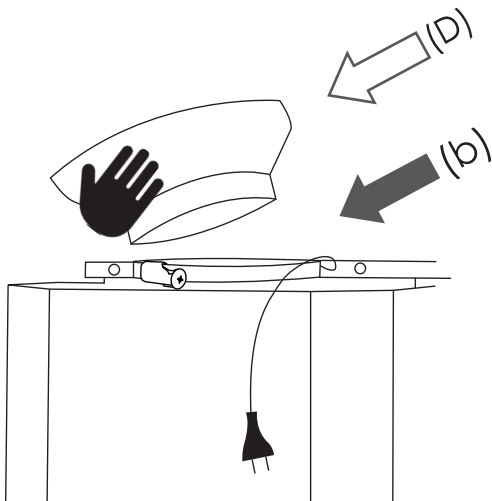
2. Remove the exhaust hose or carbon filter and, if present, close the exhaust hole (a).



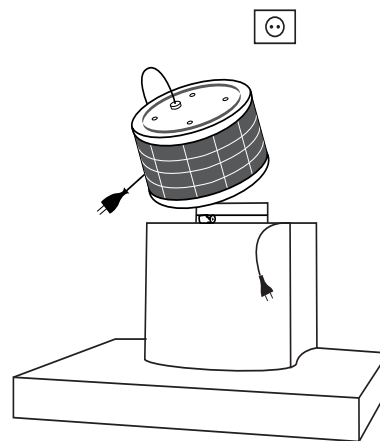
3. Place an O-ring (B) over the connecting piece (b) and tighten the hose clamp.



4. If the adapter (D) is used, place it on the connecting piece (b) and slide the second O-ring (B) on top over the adapter.

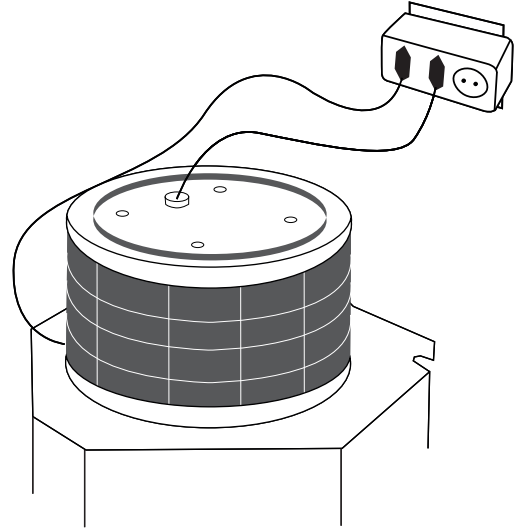
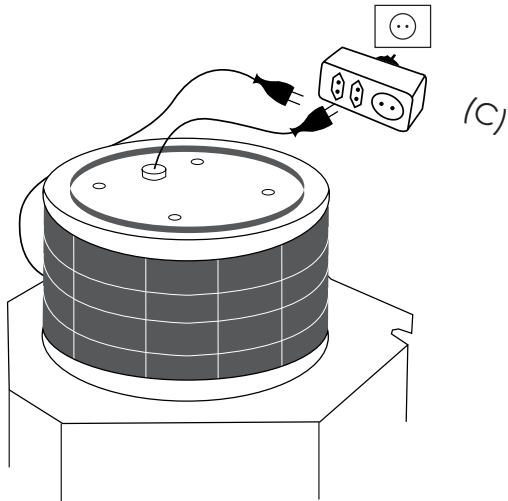


5. Place the filter (A) on the adapter (D) or directly on the exhaust port (b) with the O-rings already installed.



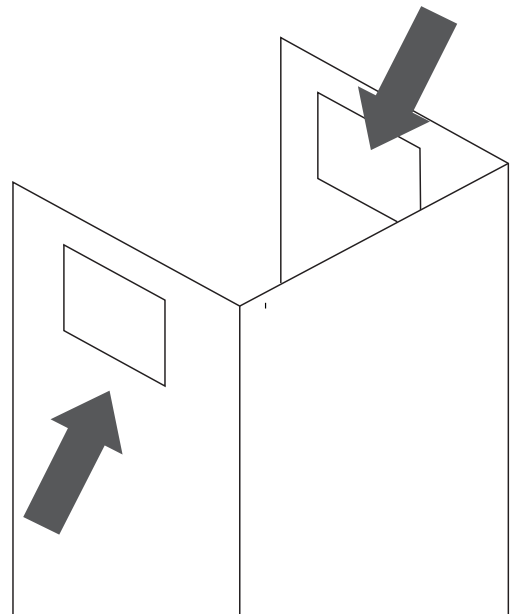
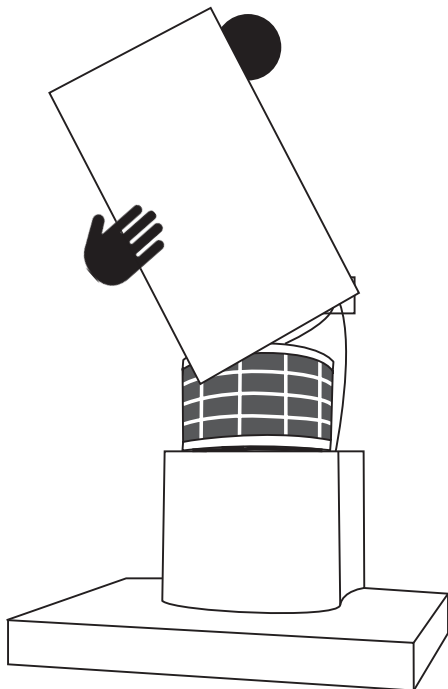
! Only mount the adapter (D) if the motor exhaust port (b) is too close to the wall.

6. Connect the hood and filter plug with the triple plug adapter (C). 7. Connect the triple plug adapter (C) to the socket.



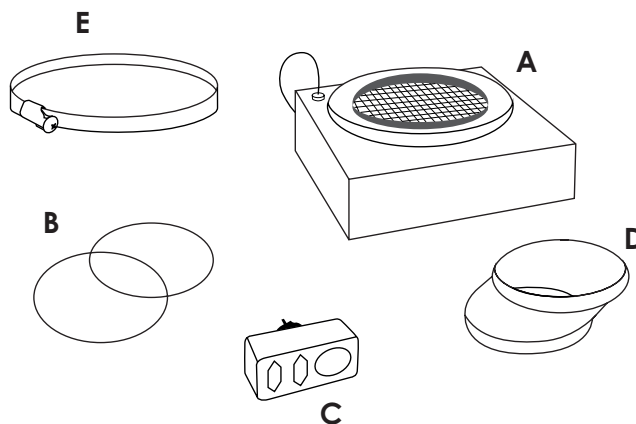
8. Put the chimney shaft back on the hood.

There must be sufficient ventilation slots in the chimney shaft from which the circulating air can escape:



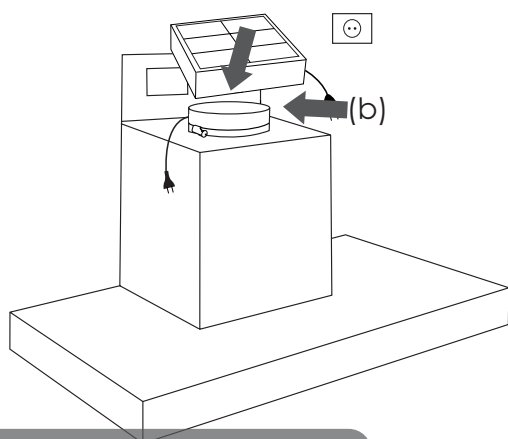
BOX CONTENT

- A** AVITANA® **aira** filter module
- B** 2 O-rings
- C** triple plug adapter
- D** eccentric adapter
- E** hose clamp

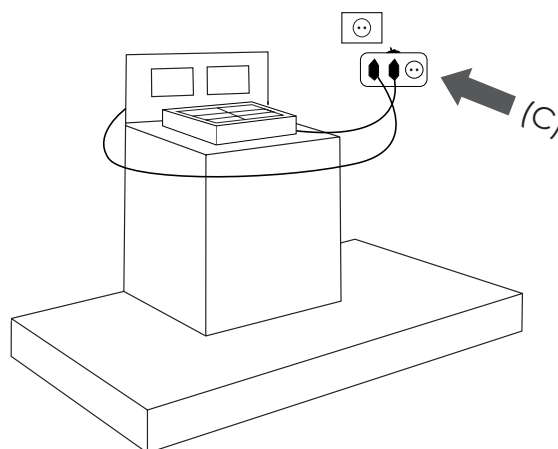


	Dimensions	Air output	Connection voltage	Connec-ting dimen-sion	Article No.	Weight	Packing unit
PLANO 400/210	210x250x80mm	400m ³ /h	210 - 250 V	∅ 150mm	8940	2,2kg	1 piece
PLANO 500/210	250x250x80mm	500m ³ /h	210 - 250 V	∅ 150mm	8950	2,5kg	1 piece
PLANO 400/180	210x250x80mm	400m ³ /h	210 - 250 V	∅ 120mm	8948	2,2kg	1 piece
PLANO 500/180	250x250x80mm	500m ³ /h	210 - 250 V	∅ 120mm	8958	2,5kg	1 piece

1. Place the filter (A) on the adapter (D) or directly on the exhaust port (b) with the O-rings already installed (B) and tighten the hose clamp (E).
2. Connect the hood and filter plug with the triple plug adapter (C) and then connect it to the socket.



! Only mount the adapter (D) if the motor exhaust port (b) is too close to the wall.

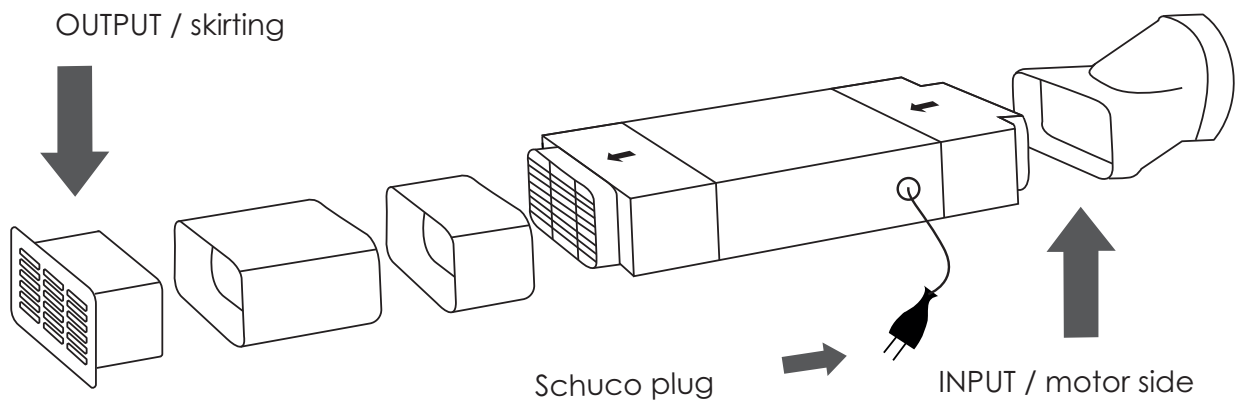


A more detailed guide can be found in the mounting instructions RONDO.

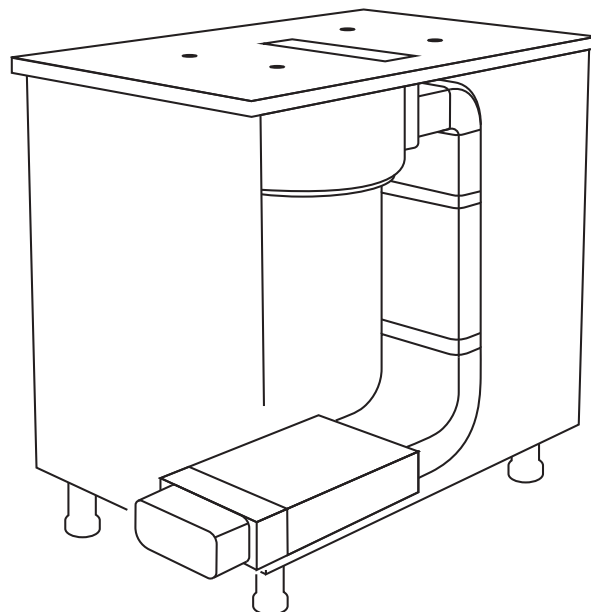
Mounting Instructions QUADRO

	Dimensions	Air output	Connection voltage	Connec-ting dimen-sion	Article No.	Weight	Packing unit
QUADRO 400	280x400x92mm	400m ³ /h	210 - 250 V	222x90mm	8740	3,0kg	1 piece
QUADRO 800	280x540x92mm	800m ³ /h	210 - 250 V	222x90mm	8780	6,0kg	1 piece
QUADRO 1200	280x640x92mm	1200m ³ /h	210 - 250 V	222x90mm	8712	6,5kg	1 piece

1. The AVITANA® **aira** QUADRO can be mounted in almost any position (transverse, vertical, upright, etc.). The only decisive factor is the correct positioning of the motor side and the resulting output.



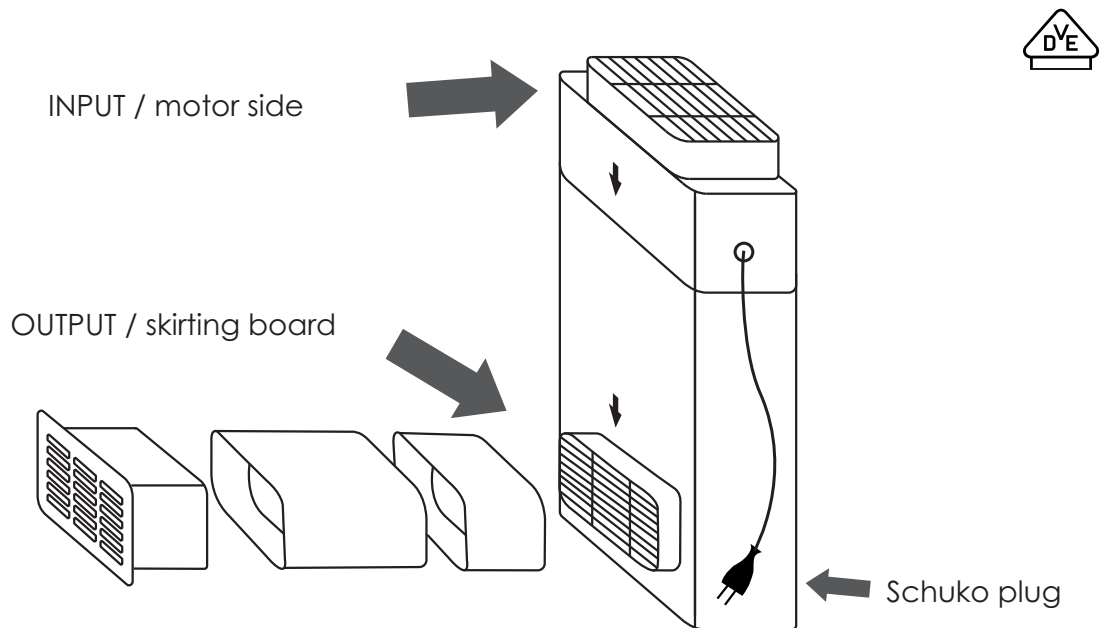
2. Depending on the components used, the connections must be sealed.



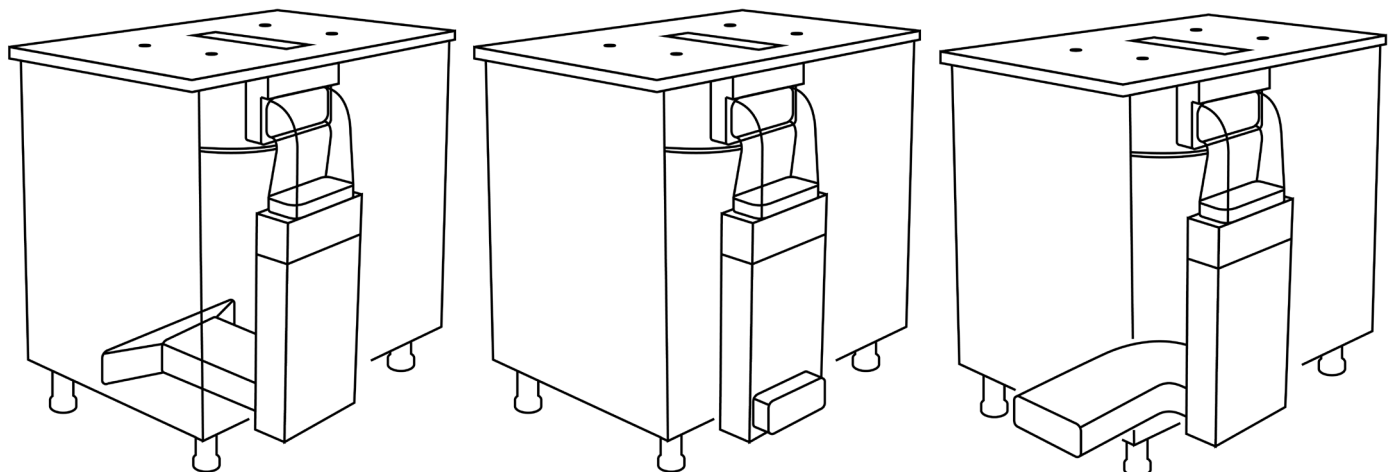
Mounting Instructions QUADRO L

	Dimensions	Air output	Connection voltage	Connecting dimension	Article No.	Weight	Packing unit
QUADRO L 750	280x460x92mm	750m ³ /h	210 - 250 V	222x90mm	8775	5,7kg	1 piece
QUADRO L 950	280x560x92mm	950m ³ /h	210 - 250 V	222x90mm	8795	6,5kg	1 piece

1. The AVITANA® aira® QUADRO can be mounted in almost any position (transverse, vertical, upright, etc.). The only decisive factor is the correct positioning of the motor side and the resulting output.



2. Depending on the components used, the connections must be sealed.



Warnings for Operation

For optimal room air cleaning, it is imperative for your extractor hood to be adequately ventilated and adapted to the respective steam development:

- Start your extractor hood at level 1 or 2 10 minutes before cooking
- After completing the cooking process, the extractor hood must run for at least 10 minutes at level 1 or 2
- If the volume of the room exceeds 50m³ (width x length x height = room volume), the follow-up time should be at least 15 minutes
- The distance between filter and equipment should be at least 10 mm.
- If grills or deep fryers are used, double the time required for post-ventilation.

The AVITANA® **aira**® module acts as an air purifier even at low speed, clearing the air not only from kitchen fumes and odours, but also all sorts of allergens, bacteria, pollen and viruses, ensuring healthy indoor air!

CARE AND MAINTENANCE

If the AVITANA® **aira**® filter module is installed according to the installation instructions, it requires no maintenance. The AVITANA® **aira**® filter module starts the automated cleaning process as soon as it is in operation.

The AVITANA® **aira**® filter module is maintenance-free. Make sure, however, that the fat filter of your cooker hood is cleaned regularly and is free from grease.

Warranty and Conditions

We at AVITANA® are extremely happy about your purchase of one of our high-tech modules and are convinced that your living comfort will be enhanced by fresh and purified air.

We grant a **60-month warranty** on our products, provided that they are installed correctly and professionally. It is essential to observe the pre- and post-run times of the cooker hood (see page 10 Warnings for operation).

If you still have reasons to complain, please contact your dealer, who will then contact us. Together we will find a solution.

Final Remarks

The operating instructions of the manufacturer must be read carefully before installation!

If there is no function, please check first:


- a) whether the power supply is guaranteed (check socket / possibly connect another device)
- b) whether the appliance plug is faulty or firmly plugged into the socket.

The INSTALLATION OF AVITANA® - FILTERS

The AVITANA® filter is relatively easy to install. The installation of the AVITANA® filter is intended as retrofitting or conversion of an already existing extractor hood unit or its use in circulating air operation.

The step-by-step procedure is described in this installation description.

Please dispose of it in an environmentally friendly way. Thank you!

The AVITANA®  filter module complies with the requirements of the EU regulations and the WEEE (Waste Electrical and Electronic Equipment) Directives! All components of the AVITANA® filter module are recyclable!

The packaging materials can be environmentally friendly recycled.

This installation instruction has been prepared by our technicians with all due care. No legal claims can be derived from printing or spelling mistakes!



The manufacturer of the product(s) described herein, to which this declaration refers, hereby declares under his sole responsibility that these product(s) comply with the relevant, basic safety, health and protection requirements of the existing EC Directives and that the corresponding test control, in particular the CE Declaration of Conformity duly issued by the manufacturer or his authorised representative, is available for inspection by the competent authorities and can be requested via the equipment vendor.



AVITANA®

PLASMA-TECHNOLOGIE

AVITANA GmbH, Berliner Straße 17, D-32052 Herford, Phone 0 52 21. 763 780-0,
info@avitana.de, www.avitana.de